



PROJECT NAME _____

LOCATION _____

ARCHITECT _____

ENGINEER _____

CONTRACTOR _____

REFERENCE _____

SUBMITTED BY _____ **DATE** _____

PTAC - DRPTAC07Y41G1A, DRPTAC09Y41G1A, DRPTAC12Y41G1A, DRPTAC15Y41G1A
 PTHP - DRPTHP07Y41G1A, DRPTHP09Y41G1A, DRPTHP12Y41G1A, DRPTHP15Y41G1A



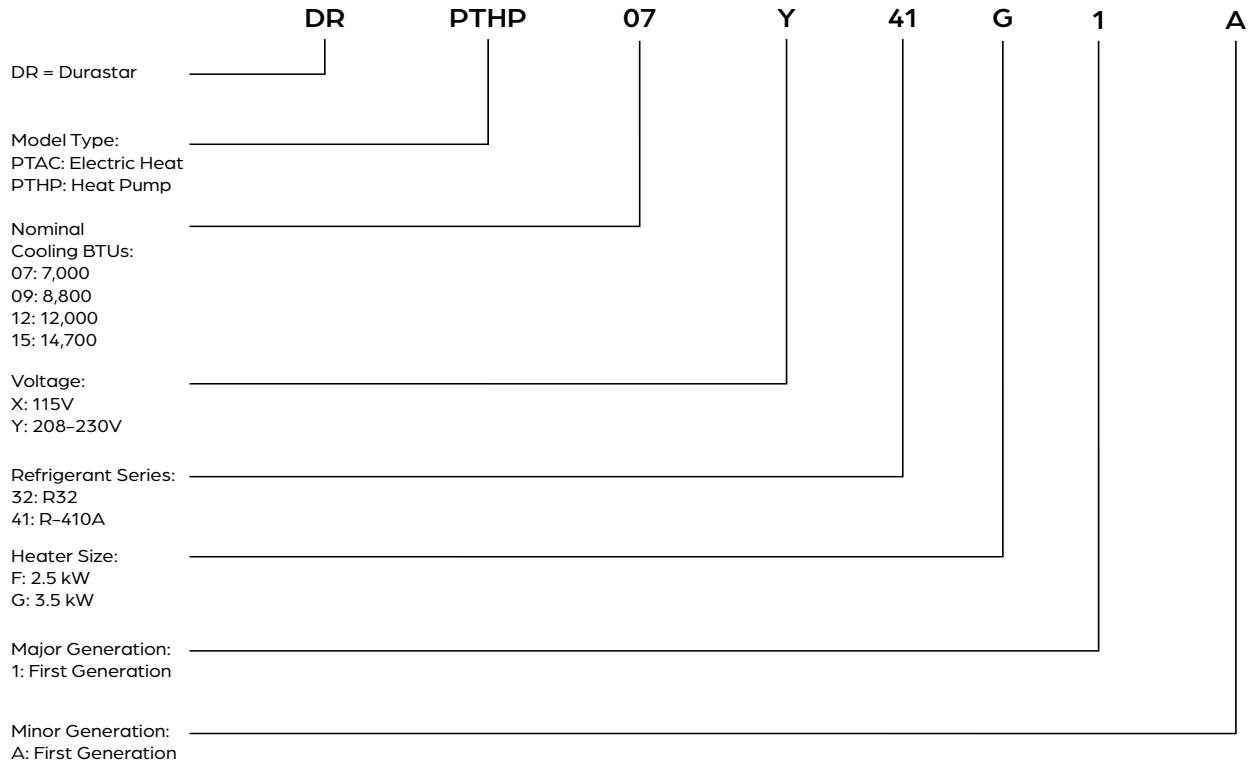
PRODUCT FEATURES

- Fits standard wall sleeve
- Washable filters
- Front desk control port
- 24V thermostat compatible
- Automatic room freeze protection at 32°F in an unoccupied room
- LCDI power cord included
- Architectural aluminum grille optional
- Grille and sleeve sold separately
- 5-year limited warranty





PTAC/PTHP SKU NOMENCLATURE



ALL MODELS		
Power Supply	(V,HZ,Ph)	208-230, 60, 1
Minimum Circuit Ampacity (MCA)	(A)	20
Maximum Overcurrent Protection (MOCP)	(A)	25
Cooling Operating Temp	(°F)	64-109
Heating Operating Temp	(°F)	23-76
Plug Type		LCDI (6-20P)
Cord Length	(in.)	72
Refrigerant		R-410A
Design Pressure	(PSIG)	540/330
Dimensions (W x D x H)	(in.)	42 x 21 x 16



PTAC MODELS

PTAC/PTHP SPECIFICATIONS

PERFORMANCE DATA	DRPTAC07Y41G1A	DRPTAC09Y41G1A	DRPTAC12Y41G1A	DRPTAC15Y41G1A
Cooling (BTU) (230V/208V)	7200/7000	8800/8500	12000/11800	14700/14500
Electric Heating (BTU) (230V/208V)	10900/8900	10900/8900	10900/8900	10900/8900
Cooling Area (sq ft)	250-300	350-400	450-550	550-700
EER (Btu/h/W)	13.1	12.8	11.6	10.6
ELECTRICAL DATA				
Cooling (Amps) (230V/208V)	2.45/2.60	3.0/3.20	4.50/4.89	6.03/6.58
Cooling (Watts) (230V/208V)	550/535	690/665	1035/1020	1390/1370
Electric Heater (Amps) (230V/208V)	15.3/13.7	15.3/13.7	15.3/13.7	15.3/13.7
Electric Heater (Watts) (230V/208V)	3519/2850	3535.5/2897	3535/2900	3535/2900
SPECIFICATIONS				
Net Weight (lb.)	101.6	104.1	111.8	113.1
Shipping Weight (lb.)	112.4	114.6	121.5	122.8
Refrigerant Charge (R-410A) (oz.)	25.04	23.99	26.10	28.22
Indoor Air Flow (Hi/Med/Lo) (CFM)	334/340/237	380/348/313	361/343/313	376/348/315
Indoor Noise Level (Hi/Med/Lo) dB(A)	51.0/50.8/50.6	51.0/48.5/47.5	52.5/52.0/51.5	51.4/50.5/50.1
Fresh Air Intake (Vent Open) (CFM)	61.1/57.6/50.6	61.1/57.6/50.6	62/60/56	62/60/56
Dehumidification (Pints/hr.)	0.63	1.18	2.75	4.55


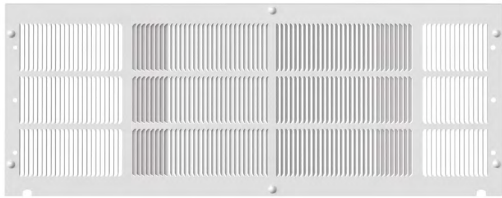



PTHP MODELS

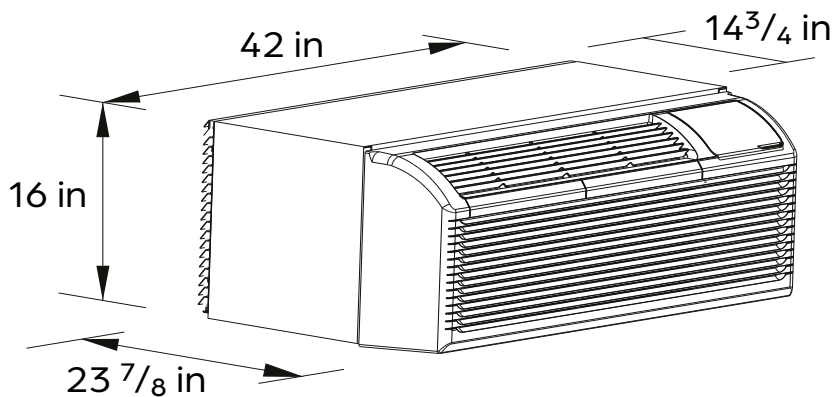
PTAC/PTHP SPECIFICATIONS

PERFORMANCE DATA	DRPTHP07Y41G1A	DRPTHP09Y41G1A	DRPTHP12Y41G1A	DRPTHP15Y41G1A
Cooling (BTU) (230V/208V)	7200/6800	8800/8500	12000/11800	14700/14500
Heat Pump Heating (BTU) (230V/208V)	6200/6000	7800/7500	10800/10500	13500/13200
Backup Electric Heat (BTU) (230V/208V)	10900/8900	10900/8900	10900/8900	10900/8900
Cool Area (Sq. Ft.)	250-300	350-400	450-550	550-700
EER (Btu/h/W)	13.1	12.8	11.6	10.6
COP (W/W)	3.6	3.8	3.4	3.2
ELECTRICAL DATA				
Cooling (Amps) (230V/208V)	2.45/2.60	3.0/3.20	4.50/4.89	6.03/6.58
Cooling (Watts) (230V/208V)	550/535	690/665	1035/1020	1390/1370
Heat Pump Heating (Amps) (230V/208V)	2.22/2.38	2.64/2.82	4.05/4.36	5.38/5.82
Heat Pump Heating (Watts) (230V/208V)	505/490	600/580	930/905	1237/1209
Backup Electric Heat (Amps) (230V/208V)	15.3/13.7	15.3/13.7	15.3/13.7	15.3/13.7
Backup Electric Heat (Watts) (230V/208V)	3519/2850	3535.5/2897	3535/2900	3535/2900
SPECIFICATIONS				
Net Weight (lb.)	104.7	108.2	115.7	116.8
Shipping Weight (lb.)	115.5	119	125	126.5
Refrigerant Charge (R410A) (oz.)	29.98	30.69	31.39	37.04
Indoor Air Flow (Hi/Mi/Lo) (CFM)	335/282/240	387/356/321	398/362/320	374/345/312
Indoor Noise Level (Hi/Mi/Lo) dB(A)	51/49.2/49.2	52.5/52/51.5	51.4/51/51	53/52.5/52
Fresh Air Intake (Vent Open) (CFM)	61.1/57.6/50.6	61.1/57.6/50.6	62/60/56	62/60/56
Dehumidification (Pints/hr.)	0.70	1.06	2.81	4.29

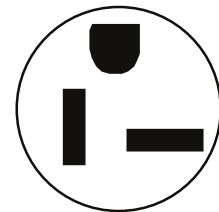
ACCESSORIES

ACCESSORY	MODEL NUMBER	IMAGE
Foldable Wall Sleeve	DRPTACWS	
Stamped Aluminum Grille	DRPTACAG	
Extruded Architectural Grille	DRPTACEBG	

AIR CONDITIONER AND WALL SLEEVE DIMENSIONS



PLUG TYPE



NEMA 6-20P