



9,000 BTU/H SIRIUS HEAT CEILING CASSETTE HEAT PUMP

SUBMITTAL COVER SHEET

SIRIUS HEAT™

PROJECT NAME _____

LOCATION _____



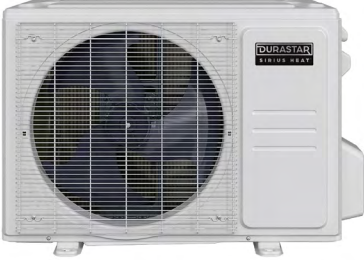

ARCHITECT _____

ENGINEER _____

CONTRACTOR _____

REFERENCE _____

SUBMITTED BY _____ DATE _____

Indoor Unit (IDU): DRAC09F1A	Panel: DRACPANA1A	Outdoor Unit (ODU): DRA1H09S1A	Wireless Remote Control
			

PRODUCT FEATURES

- Up to 100% heating capacity at 0°F
- Low ambient heating down to -22°F
- Low ambient cooling down to 5°F
- Wireless Remote Control with "Follow Me" Technology
- Variable Speed Inverter Compressor
- Auto Restart
- Sleep Mode
- Turbo Mode
- Quiet operation
- 46°F Freeze Protection
- Included base pan heater
- Refrigerant leak detection
- Anti-corrosive fin coating

SYSTEM DATA

Refrigerant Type	R-410A
Refrigerant Charge (oz.)	41.62
Design Pressure (PSIG)	550/340
Indoor/ Outdoor Coil Coating	Golden Fin Coating

EFFICIENCY DATA

SEER2	20.5
EER2	13.0
HSPF2	10.3
SEER	20.5
EER	13.0
HSPF	10.8
COP at 47°F	2.9
COP at 5°F	1.8

CAPACITIES

Cooling Capacity (BTU/hr)	Rated at 95 °F ¹	9000
	Minimum	2850
	Maximum	11100
Heating Capacity (BTU/hr)	Rated at 47°F ²	9800
	Maximum at 5°F ³	10000
	Minimum	2270
	Maximum	12500



Specifications are subject to change without notice.

© 2023 Ferguson Enterprises LLC

www.durastar.com



9,000 BTU/H SIRIUS HEAT CEILING CASSETTE HEAT PUMP SPECIFICATIONS

SIRIUS HEAT™

LINE SET REQUIREMENTS	
Connection Type	Flare
Liquid	Ø1/4" (Ø6.35mm)
Gas	Ø3/8" (Ø9.52mm)
Pre-Charge Length	25'
Minimum Length	10'
Maximum Length	82'
Maximum Height Differential	33'
Additional Refrigerant (oz./ft)	0.16

OUTDOOR UNIT		
Unit Dimensions	Width	31-11/16"
	Depth	13"
	Height	21-13/16"
Carton Dimensions	Width	36"
	Depth	14-9/16"
	Height	24-3/16"
Net Weight	74 lbs.	
Gross Weight	80 lbs.	
Cooling Operating Temperature	5°F - 122°F	
Heating Operating Temperature	-22°F - 75°F	
Voltage/Phase/Frequency	208-230V, 1 Phase, 60 Hz	
Voltage Range	187-253V	
Recommended Breaker (Amps)	15	
Minimum Circuit Ampacity (Amps)	15	
Communication Wire Size	14*4 AWG Stranded	
Rated Current - Cooling (Amps) ¹	3.2	
Rated Current - Heating (Amps) ²	4.6	
Sound Pressure (dB(A))	54.5	

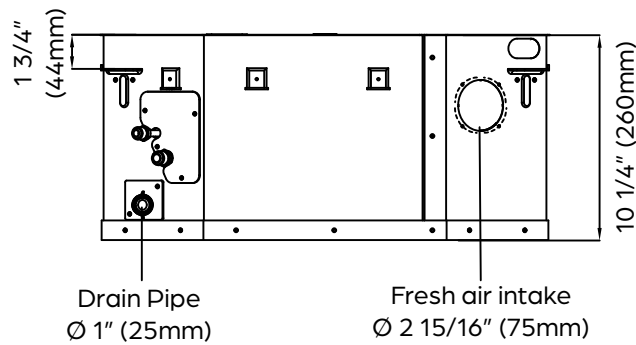
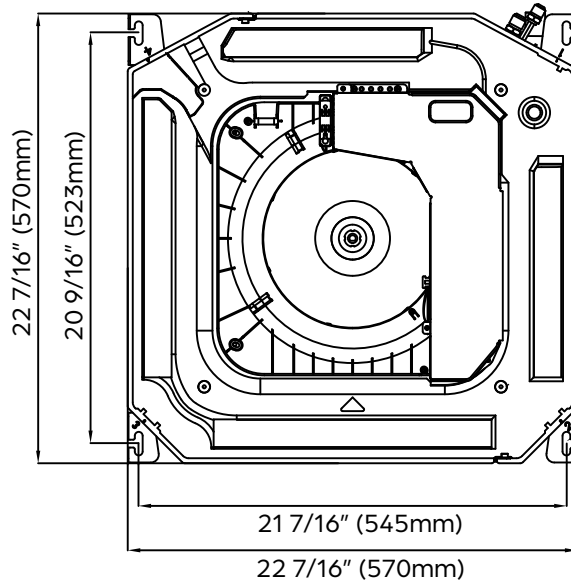
COMPRESSOR	
Type	DC Rotary Inverter
Oil Type	Ester Oil VG74
Oil Charge (oz.)	11.8 (350 ml)

INDOOR UNIT		
Unit Dimensions	Width	22-7/16"
	Depth	22-7/16"
	Height	10-1/4"
Carton Dimensions	Width	26-1/2"
	Depth	26-1/2"
	Height	13-1/4"
Net Weight	32 lbs.	
Gross Weight	38 lbs.	
Indoor Unit Air Flow (CFM)	Low	271
	Medium	306
	High	353
Drain Port O.D.	Ø1" (25mm)	
Drain Pump Lift	29 1/2"	
Recommended Breaker (Amps)	15	
Sound Pressure (dB(A))	Low	32.5
	Medium	36.0
	High	39.5

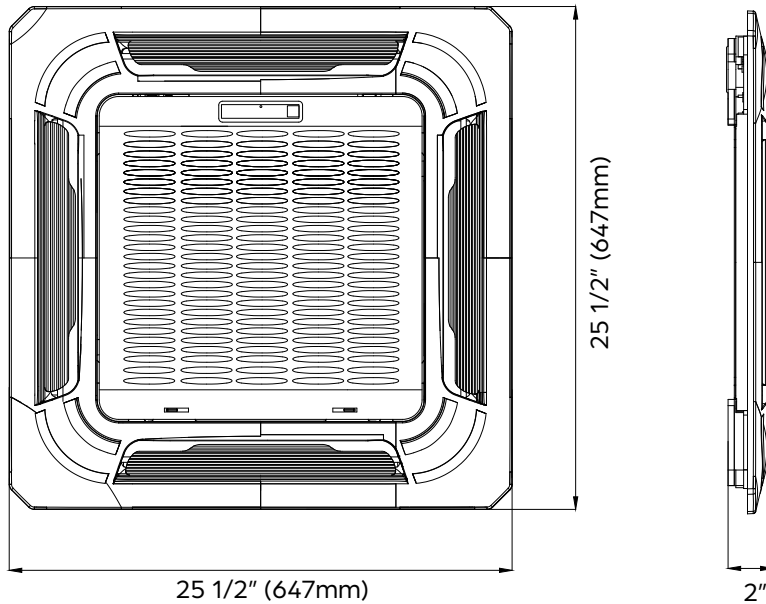
¹ AHRI Rated at 95°F (AFull).

² AHRI Rated at 47°F (H1Full).

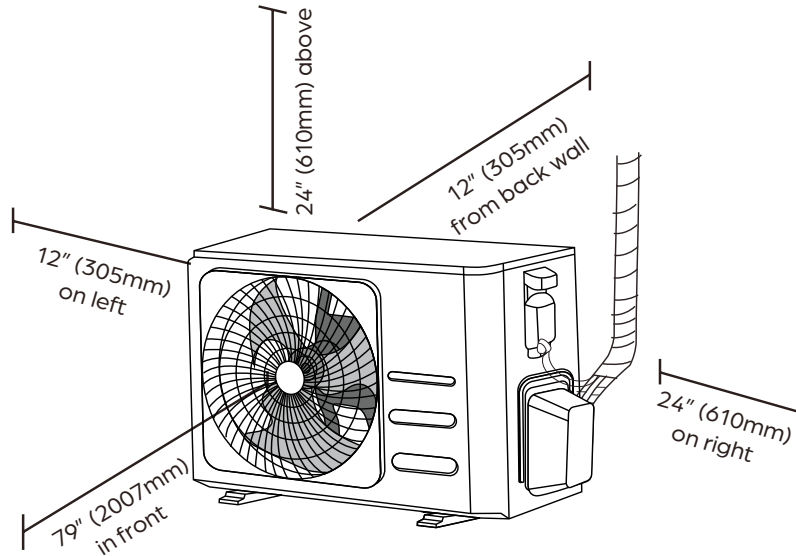
³ AHRI Rated Capacity at 5°F (H42)



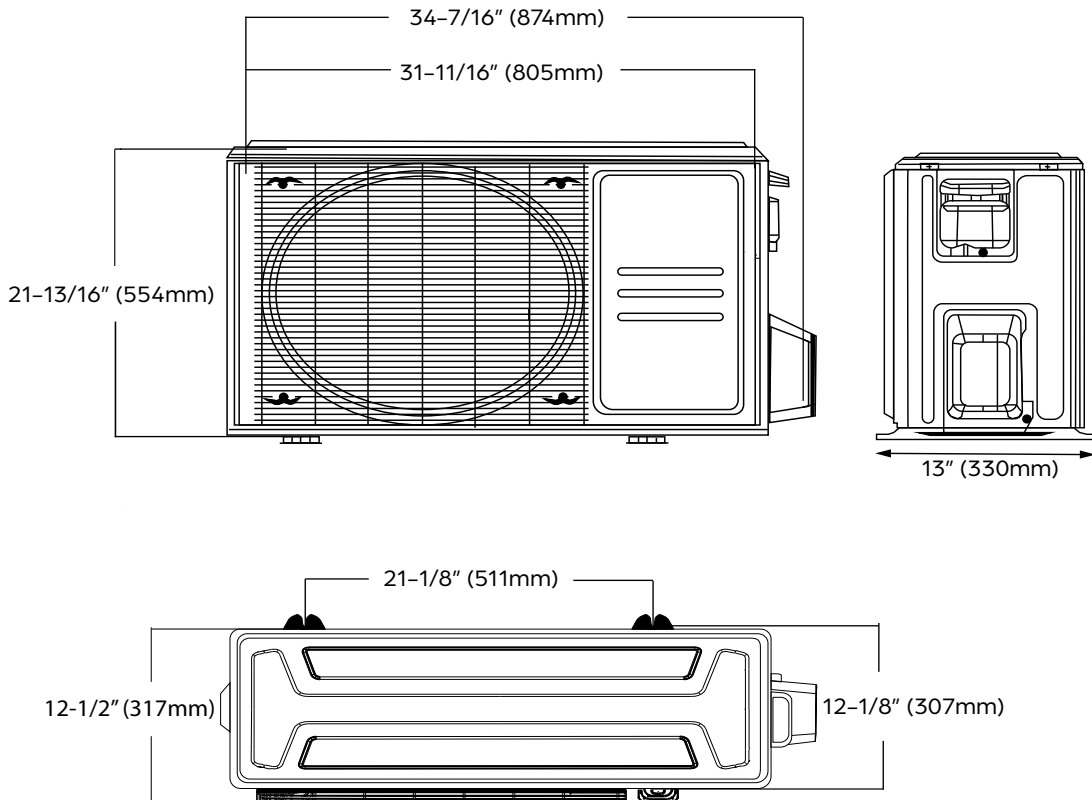
DRACPANA1A:



Clearances



Dimensions



NOTE

- Illustrations in this document are for explanatory purposes. The actual shape of your mini-split equipment may vary slightly.