



SIRIUS HEAT™

9,000 BTU/H SIRIUS HEAT DUCTED HEAT PUMP SYSTEM

SUBMITTAL COVER SHEET

PROJECT NAME _____

LOCATION _____




ARCHITECT _____

ENGINEER _____

CONTRACTOR _____

REFERENCE _____

SUBMITTED BY _____ DATE _____

Indoor Unit (IDU): DRAD09F1A	Outdoor Unit (ODU): DRA1H09S1A	Wired Thermostat
		

PRODUCT FEATURES

- Up to 100% heating capacity at 0°C
- Low ambient cooling and heating down to -22°F
- Low ambient cooling down to 5°F
- Wired thermostat included
- Variable Speed Inverter Compressor
- Auto Restart
- Turbo Mode
- Quiet operation
- Humidity sensor
- 46°F Freeze Protection
- Included base pan heater
- Refrigerant leak detection
- Anti-corrosive fin coating

SYSTEM DATA	
Refrigerant Type	R-410A
Refrigerant Charge (oz.)	41.6
Design Pressure (PSIG)	550/340
Indoor/ Outdoor Coil Coating	Golden Fin Coating

EFFICIENCY DATA	
SEER2	20.2
EER2	13.2
HSPF2	12.0
SEER	23.0
EER	14.0
HSPF	12.0
COP at 47°F	3.62
COP at 5°F	1.90

CAPACITIES		
Cooling Capacity (BTU/hr)	Rated at 95 °F ¹	9000
	Minimum	2400
	Maximum	12500
Heating Capacity (BTU/hr)	Rated at 47°F ²	10000
	Maximum at 5°F ³	10800
	Minimum	1700
	Maximum	15600



Specifications are subject to change without notice.
 © 2023 Ferguson Enterprises LLC
 www.durastar.com



9,000 BTU/H SIRIUS HEAT DUCTED HEAT PUMP SYSTEM

SPECIFICATIONS

SIRIUS HEAT™

LINE SET REQUIREMENTS	
Connection Type	Flare
Liquid	Ø1/4" (Ø6.35mm)
Gas	Ø3/8" (Ø9.52mm)
Pre-Charge Length	25'
Minimum Length	10'
Maximum Length	82'
Maximum Height Differential	33'
Additional Refrigerant (oz./ft)	0.16

OUTDOOR UNIT		
Unit Dimensions	Width	31-11/16"
	Depth	13"
	Height	21-13/16"
Carton Dimensions	Width	36"
	Depth	14-9/16"
	Height	24-3/16"
Net Weight	74 lbs.	
Gross Weight	80 lbs.	
Cooling Operating Temperature	5°F - 122°F	
Heating Operating Temperature	-22°F - 75°F	
Voltage/Phase/Frequency	208-230V, 1 Phase, 60 Hz	
Voltage Range	187-253V	
Recommended Breaker (Amps)	15	
Minimum Circuit Ampacity (Amps)	15	
Communication Wire Size	14*4 AWG Stranded	
Rated Current - Cooling (Amps) ¹	2.9	
Rated Current - Heating (Amps) ²	3.7	
Sound Pressure (dB(A))	55	

COMPRESSOR	
Type	DC Rotary Inverter
Oil Type	Ester Oil VG74
Oil Charge (oz.)	11.8 (350 ml)

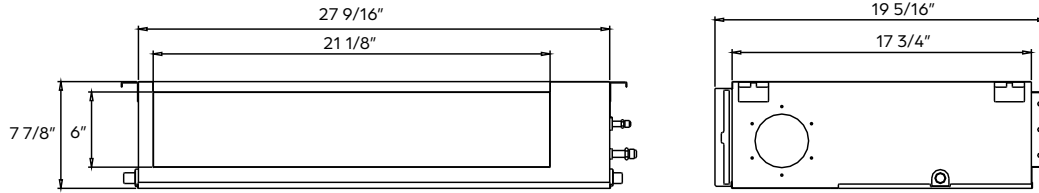
INDOOR UNIT		
Unit Dimensions	Width	27-9/16"
	Depth	19-15/16"
	Height	7-7/8"
Carton Dimensions	Width	33-7/8"
	Depth	21-1/4"
	Height	11"
Net Weight	39.2 lbs.	
Gross Weight	48.3 lbs.	
Indoor Unit Air Flow (CFM)	Low	177
	Medium	282
	High	353
Drain Port O.D.	1" (Ø25mm)	
Drain Pump Lift	21 5/8"	
Recommended Breaker (Amps)	15	
Sound Pressure (dB(A))	Low	27
	Medium	31
	High	33

¹ AHRI Rated at 95°F (AFull).

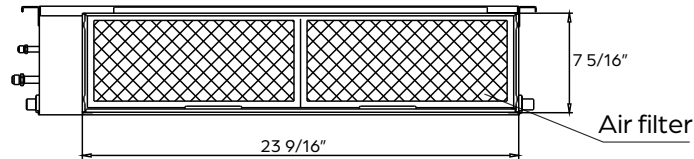
² AHRI Rated at 47°F (H1Full).

³ AHRI Rated Capacity at 5°F (H42)

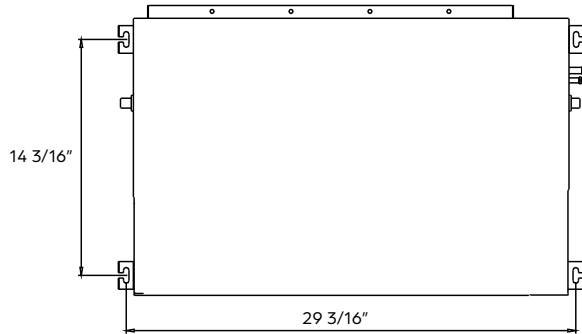
Unit and air outlet dimensions



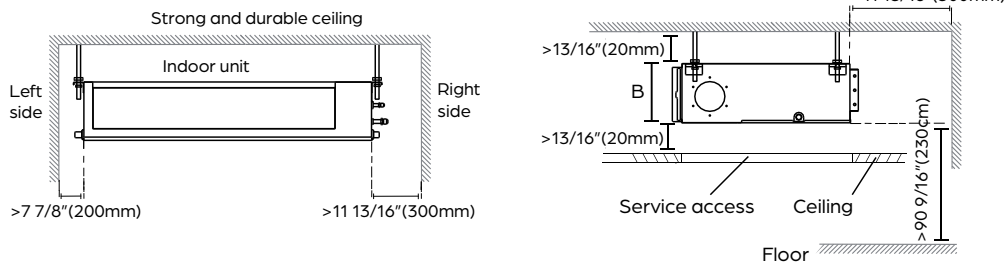
Air inlet dimensions



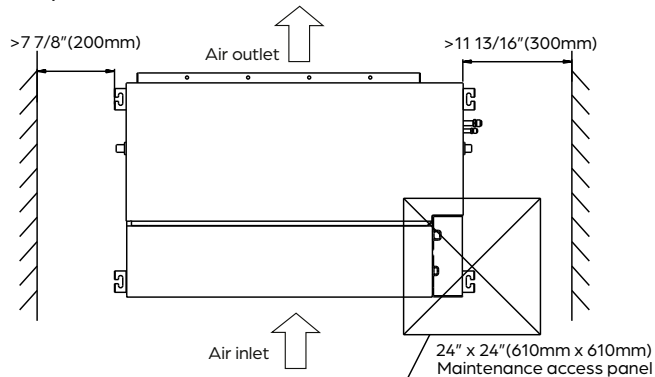
Mounting dimensions for ceiling bolts



Installation clearances



Maintenance access panel



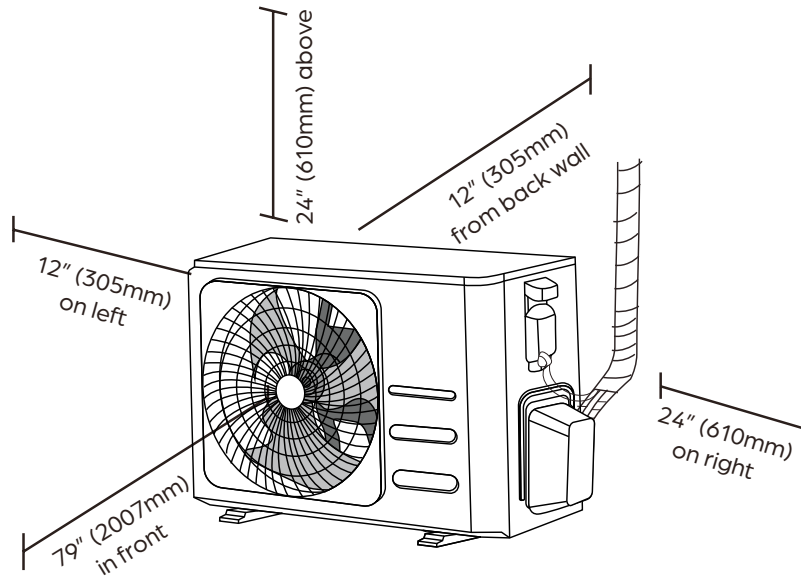


SIRIUS HEAT™

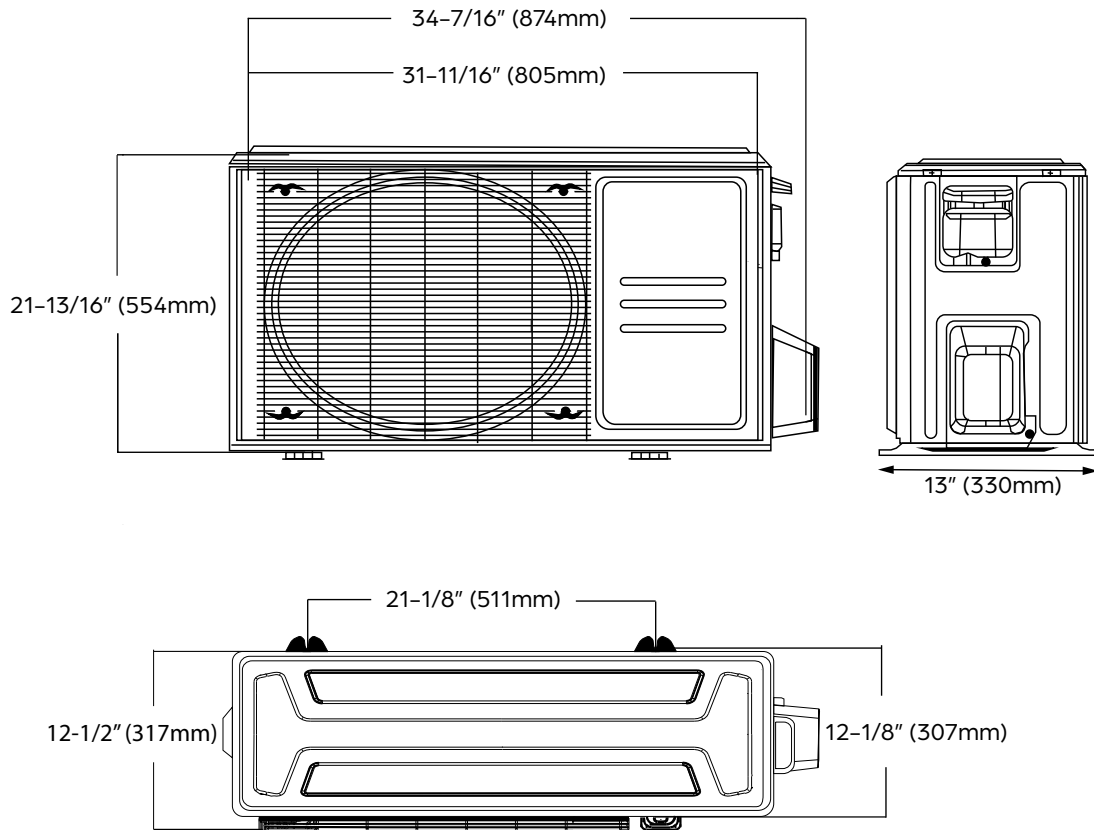
9,000 BTU/H SIRIUS HEAT DUCTED HEAT PUMP SYSTEM

ODU DIMENSIONS - DRA1H09S1A

Clearances



Dimensions



NOTE

- Illustrations in this document are for explanatory purposes. The actual shape of your mini-split equipment may vary slightly.